

# Appendix-O: Grease Traps

---

**\*\*A Reference Document for Planning and Reviewing Grease Disposal Systems for Food Service Establishments\*\***



Appendix-O entitled, “Grease Traps”, is an excerpt originating from Section D – Pretreatment found within the Manual for On-Site Sewage Management Systems referenced within Rules of Department of Public Health Chapter 511-3-1 On-Site Sewage Management Systems. It is provided as a reference in the design and installation of grease traps to service food service establishments with either septic tank/drainfield, or public sewer method of sewage disposal. However, if sewage disposal will be provided by a public sewer system, applicable local codes of the city or county government having jurisdiction over the food service establishment will prevail.

For more information, go to the Georgia Department of Public Health’s environmental health website’s Land Use Program Page located at [www.georgiaeh.us](http://www.georgiaeh.us). Further, the local county health department in the county in which the proposed establishment will be located may be contacted for consultation as well.

FIGURE P-1

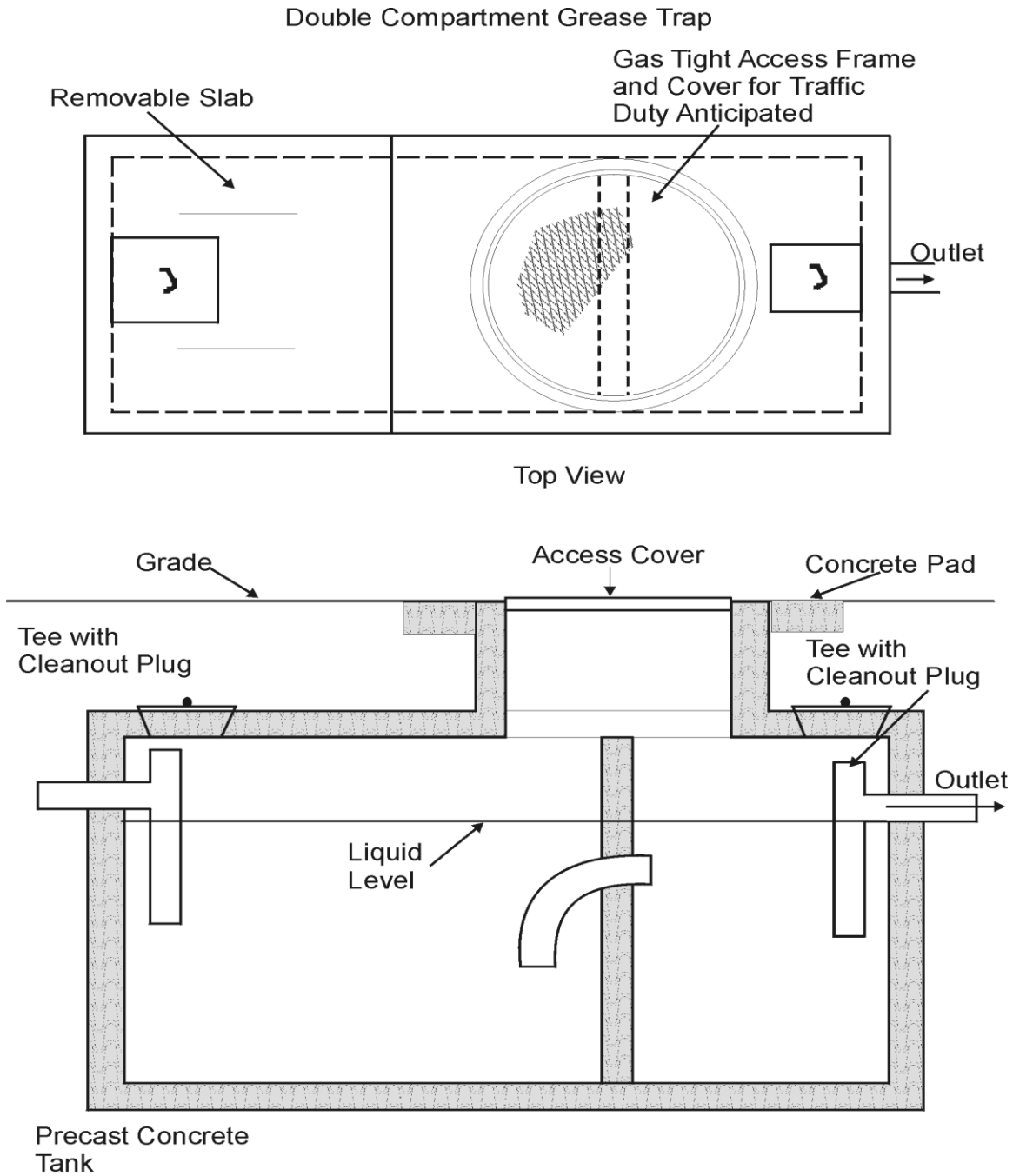
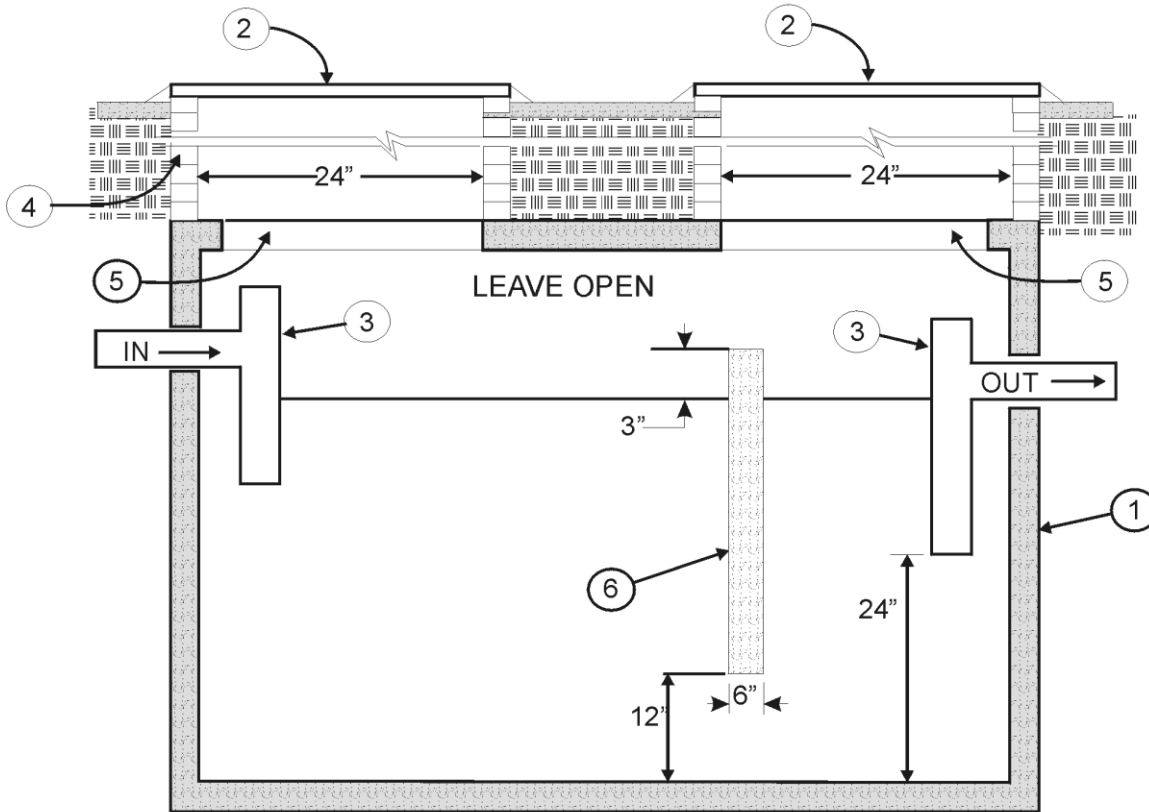


FIGURE P-2

STANDARD DESIGN GREASE INTERCEPTOR



1. PRECAST TANK, \_\_\_\_\_ GALLONS.
2. MANHOLE TOP AND RING, ONE OVER EACH SECTION.
3. PIPE AND FITTINGS OF APPROVED MATERIALS (SCHEDULE 40 PVC - MINIMUM)
4. BRICK UP TO GRADE. INSTALL MANHOLE STEPS 2'0" ON CENTER IF THE HEIGHT OF THE BRICK WORK IS GREATER THAN 4'0".
5. PROVIDE TOP SECTION WITH 24" DIAMETER OPENING AT EACH END OF THE TANK.
6. INSTALL CONCRETE BAFFLE IN TANK

FIGURE P-3

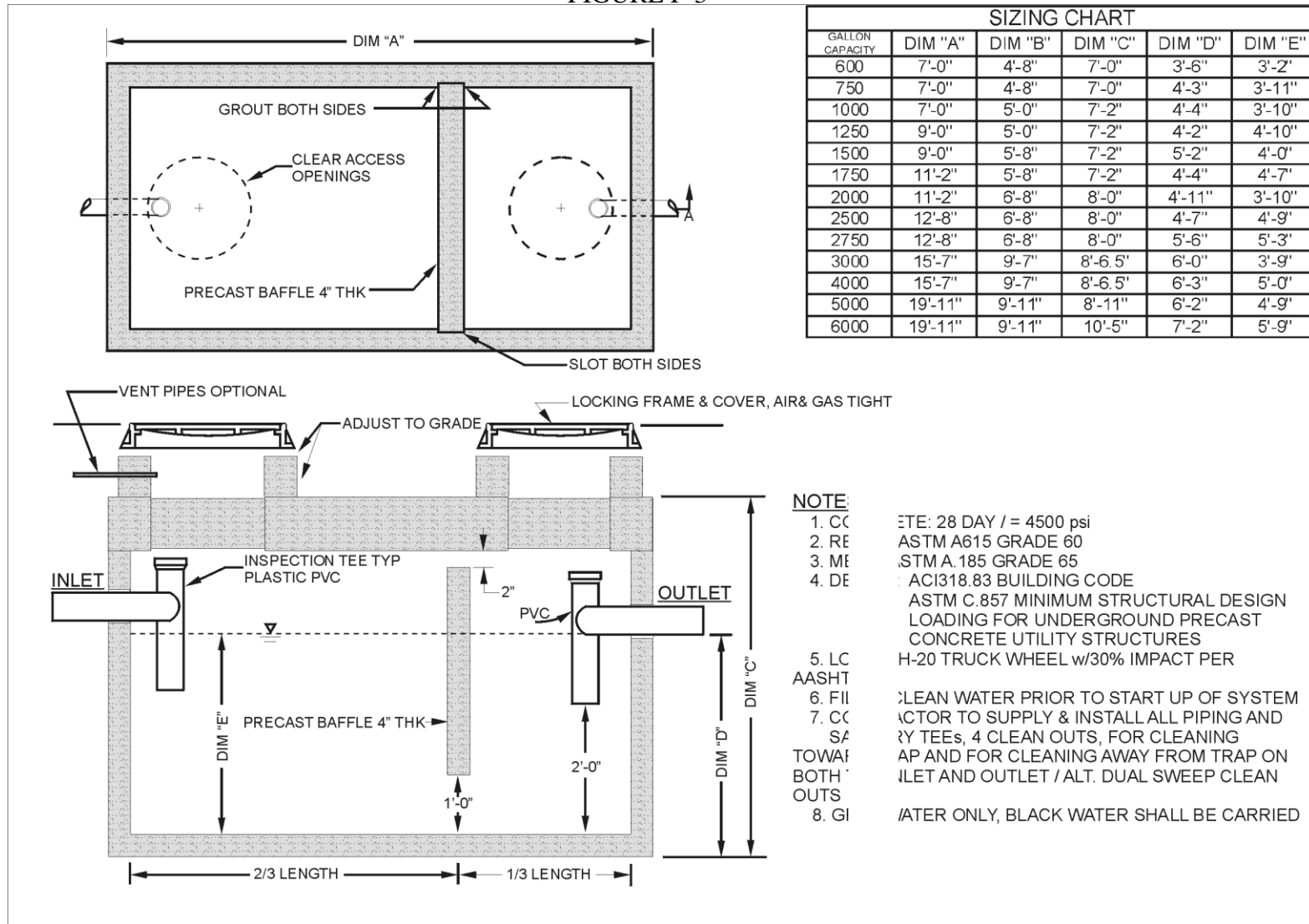


Figure DF-8: Concrete Baffled Grease Tra

FIGURE P-4

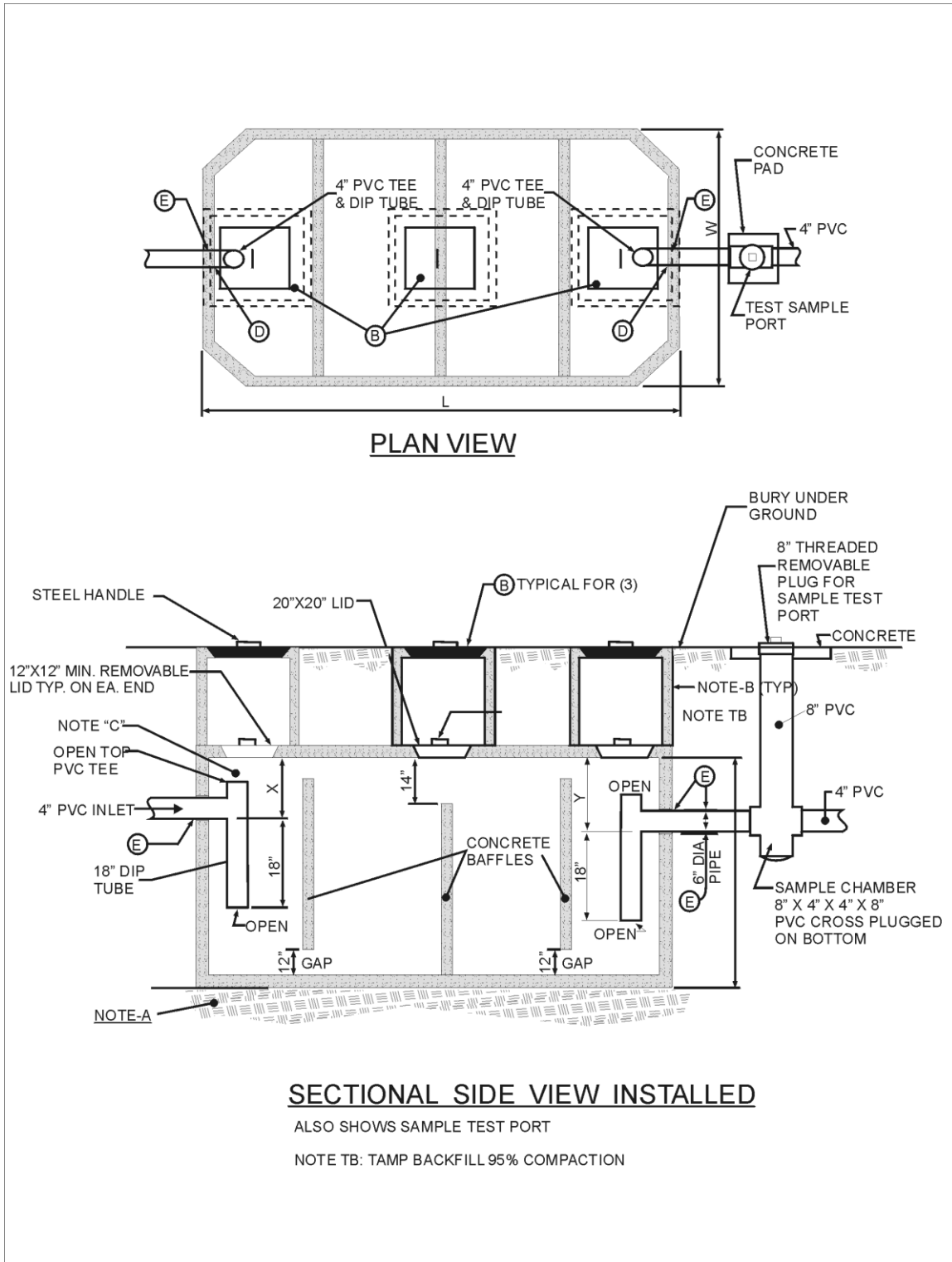
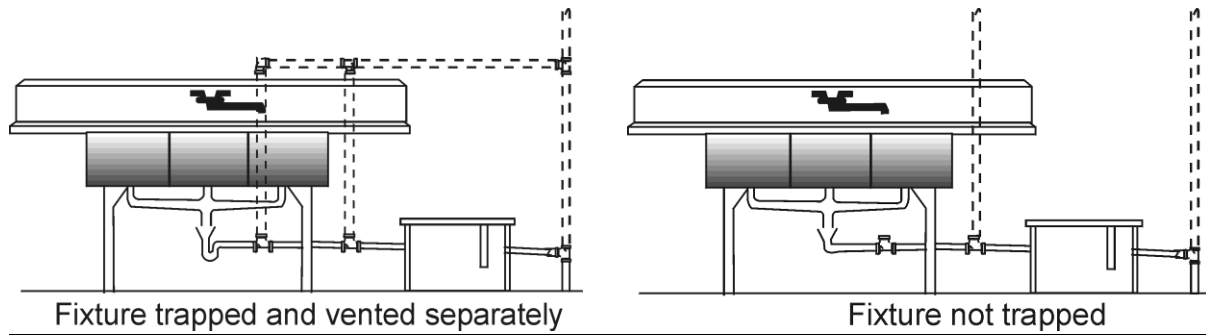


FIGURE P-5

**TYPICAL SINGLE FIXTURE INSTALLATIONS**



Note: Under-the-sink type grease interceptors are under the jurisdiction of State and local plumbing codes. In cases where onsite sewage management systems are to be utilized for disposal of sewage, outside-in-ground type grease traps must be properly sized and installed as per the Georgia Department of Human Resource’s Rules and Regulations for Onsite Sewage Management Systems Chapter 511-3-1. In addition and as allowed by State and local codes, outside-in-ground type grease traps may be used as well to intercept grease for public sewer system applications.